



Enlightening Expectations

LED MEDIUM FULL CUTOFF WALL PACK

Features

- Suitable for WET location/Outdoor
- Lumen output from 4800-7500lm, to replace 100-250W MH
- Full Cutoff and compliance to Dark Sky requirement
- Type III polycarbonate optical lens with UV stabilizers
- Built-in UL class 2 driver, optional for photocell
- Available in durable polyester dark bronze or Black powder coat
- UL/cUL and DLC listed



Applications

- Security, pathway and perimeter lighting
- Building entryways and walkways





Specification

Specification/ Model	LEIWPF45W12V50KDPO	LEIWPF50W34V50KDPO	LEIWPF70W12V50KDPO	LEIWPF75W34V50KDPO
Input Power	45W	50W	70W	75W
Lumens output	4900lm	5000lm	7350lm	7500lm
Efficacy	109lm/W	100lm/W	105lm/W	100lm/W
CRI	82			
Color Temperature	5000K			
Input Voltage	120VAC	347VAC	120VAC	347VAC
Finish Color	Dark Bronze			
Optical Lens	Polycarbonate (UL Recognized) (f1) Suitable for outdoor use with respect to exposure to Ultraviolet Light, Water Exposure and Immersion in accordance with UL 746C			
Mounting	Wall Mounting			
Photocell	120VAC (UL and CSA listed) 3/4in long threaded nipple,30-45 second time delay, Power Consumption: less than 0.9 watts at 120 VAC			

Ordering Guide

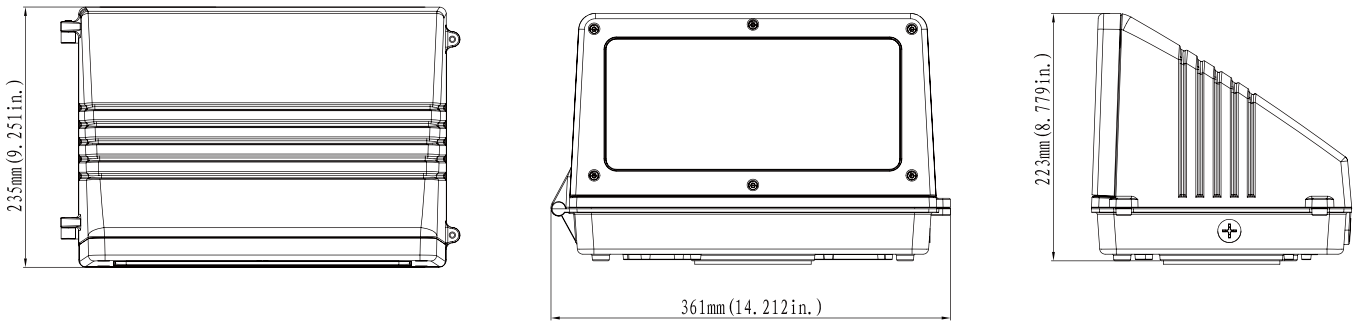
EXAMPLE: LEIWPF 45W 12V 40K D P1

Fixture Type	Power Consumption	Input Voltage	CCT	Finish	Sensor (Option)
WPF Small Full Cutoff Wall Pack	45W 45Watts	12V 120V	40K 4000K	D Dark Bronze	P1 120V Photocell
	50W 50Watts	34V 347V	50K 5000K	B Black	Blank without Photocell
	70W 70Watts			W White	
	75W 75Watts				

Notes: 45W and 70W are limited to 120V input only; 50W and 75W are limited to 347V input only.

Dimension

unit: inch/mm



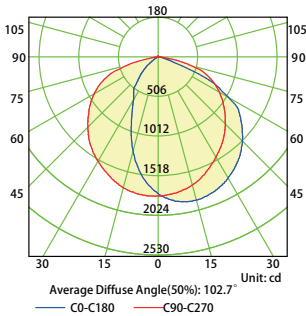
Energy Saving Replacement

LEI MODEL	Replacing
WPF45W12VXXKYY WPF50W34VXXKYY	100-150W MH
WPF70W12VXXKYY WPF75W34VXXKYY	175-250W MH

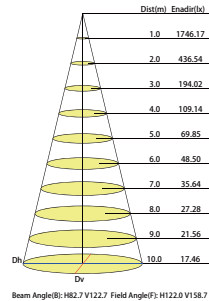
Photometrics

WPF45W12V50KD

Luminous Intensity Distribution Curve

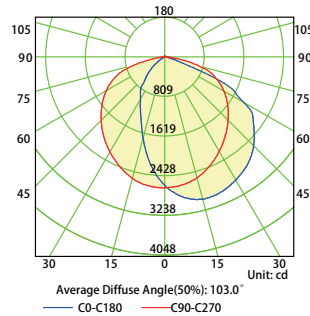


Illuminance at a Distance



WPF70W12V50KD

Luminous Intensity Distribution Curve



Illuminance at a Distance

