



*Enlightening Expectations*

## Features      LED LARGE FULL CUTOFF WALL PACK

- Suitable for WET location/Outdoor
- Full Cutoff and compliance to Dark Sky requirement
- 90W-145W power consumption, to replace 250-400W MH
- Lumen output 9300-14000lm, CCT are available at 3500, 4000K and 5000K
- Type III polycarbonate optical lens with UV stabilizers
- 120V and 347V for North American
- Built-in UL class 2 driver, optional for photocell
- UL/cUL listed and DLC qualified



## Applications

- Security, pathway and perimeter lighting
- Building entryways and walkways





## Specification

| Specif ca. on/ Model | LEIWPF90W12V50KDP1  | LEIWPF95W34V50KDP2 | LEIWPF135W12V50KDP1 | LEIWPF145W34V50KDP2 |
|----------------------|---|--------------------|---------------------|---------------------|
| Input Power          | 90W   | 95W                | 135W                | 145W                |
| Lumens output        | 9500lm  | 9500lm             | 14000lm             | 14000lm             |
| Efficacy             | 106lm/W   | 100lm/W            | 104lm/W             | 97lm/W              |
| CRI                  |   |                    |                     |                     |
| Color Temperature    |   |                    |                     |                     |
| Input Voltage        | 120VAC  | 347VAC             | 120VAC              | 347VAC              |
| Finish Color         | Dark Bronze   |                    |                     |                     |
| Optical Lens         | Polycarbonate (UL Recognized)<br>(f1) Suitable for outdoor use with respect to exposure to Ultraviolet Light, Water Exposure and Immersion in accordance with UL 746C |                    |                     |                     |
| Mounting             | Wall Mounting   |                    |                     |                     |
| Photocell            | 120VAC (UL and CSA listed)<br>3/4in long threaded nipple,30-45 second time delay, Power Consumption: less than 0.9 watts at 120 VAC                                   |                    |                     |                     |

## Ordering Guide

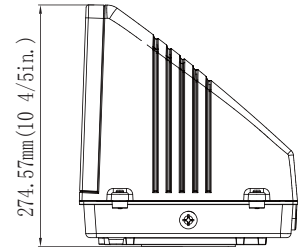
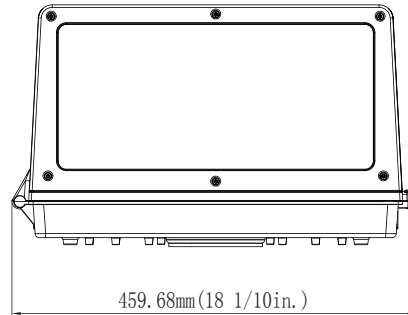
EXAMPLE: LEIWPF 90W 12V 40K D P1

| Fixture Type                    | Power Consumption | Input Voltage | CCT       | Finish        | Sensor (Option)         |
|---------------------------------|-------------------|---------------|-----------|---------------|-------------------------|
| WPF Large Full Cutoff Wall Pack | 90W 90Watts       | 12V 120V      | 35K 3500K | D Dark Bronze | P1 120V Photocell       |
|                                 | 95W 95Watts       | 34V 347V      | 40K 4000K | B Black       | Blank without Photocell |
|                                 | 135W 135Watts     |               | 50K 5000K |               |                         |
|                                 | 145W 145Watts     |               |           |               |                         |

Notes: 90W and 135W are limited to 120V input only; 95W and 145W are limited to 347V input only.

## Dimension

unit: inch/mm



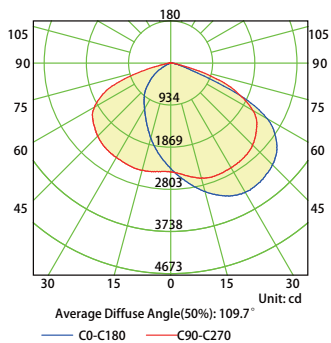
## Energy Saving Replacement

| LEI MODEL                       | Replacing   |
|---------------------------------|-------------|
| WPF90W12VXXKYY WPF95W34VXXKYY   | 250-350W MH |
| WPF135W12VXXKYY WPF145W34VXXKYY | 400-500W MH |

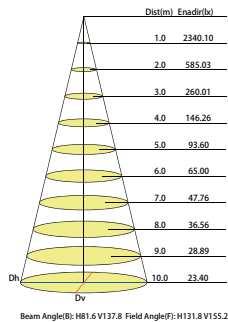
## Photometrics

WPF90W12V40KD WPF95W34V40KD

Luminous Intensity Distribution Curve

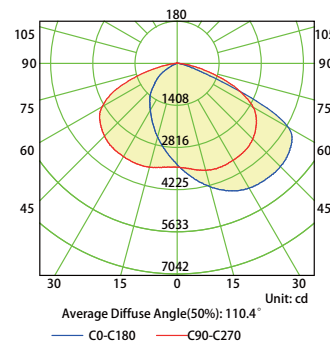


Illuminance at a Distance



WPF135W12V40KD WPF145W27V40KD

Luminous Intensity Distribution Curve



Illuminance at a Distance

