

LEI 2x2' LED Panel Light, 32 watt 4160 Lumen, UL/cUL, DLC

## Specifications

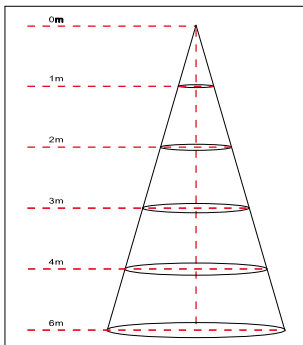
Model#	LEIP4-32W-XXXXX
Description	2x2' LED Panel Light
Power	32W
Lumen Efficiency	130lm/w
Voltage Input	100-277Vac
Lumen output	4160lm
Color Temperature	3000K,4000K, 5000K
CRI	Ra>80
LED Chips	SMD2835
Power Factor	>0.9
Lens	Frosted
Operating Temp.	-25t--55-c
Certificates	UL/cUL, DLC
warranty	5 years
L70 life span	>50000Hrs
Frame	Aluminum
Max. Input current	0.5A
Dimmable	Yes(0-10V)
Weight	5.5 Kg (12 lbs)



## Order Information

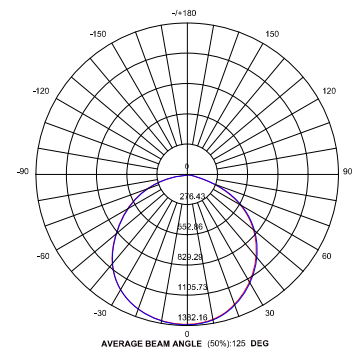
Item Number	Description	Power	Voltage Input	Dimmable	CCT	Lumen Output	Certificates
LEIP4-32W-XXXXX	2x2' LED Panel light	32W	100-277Vac	Yes	3000k 4000K 5000k	4160lm	UL/cUL, DLC

## Lux Chart



Height	Average Lux (lx)	Light range (dia.)
1M	1091.3	306.5cm
2M	272.8	613.0cm
3M	121.3	919.5cm
4M	68.2	1226.0cm
6M	30.3	1839.0cm

## Photometrics



LEI 2x2' LED Panel Light, 32 watt 4160 Lumen, UL/cUL, DLC

# Installation

## Wall Mount

<p>1. Nailing two plastic expansion screws and other screws into the wall according to the size shown in the illustration</p>	<p>2. Hanging the panel on the finished screws</p>	<p>3. This is the combining drawing for wall and panel, please make the installation according to the installation drawing.</p>	<p>4. Installation finished</p>
---	--	---	---------------------------------

## Recessed Mount

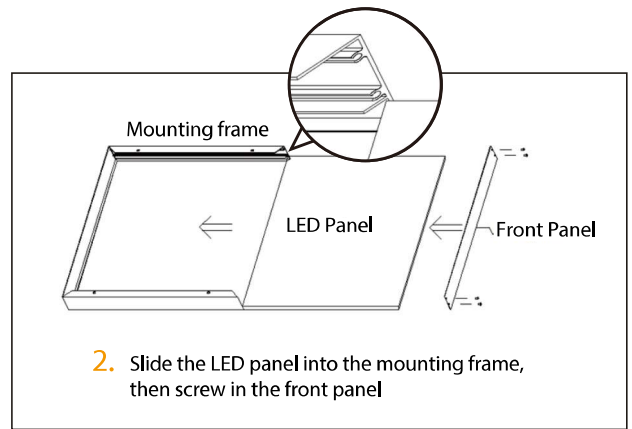
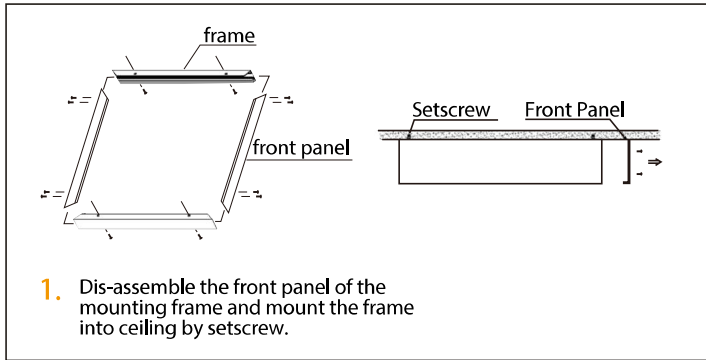
<p>1.</p>	<p>2.</p>	<p>3.</p>	<p>4.</p>
<p>5.</p>	<p>6.</p>		

## Suspension

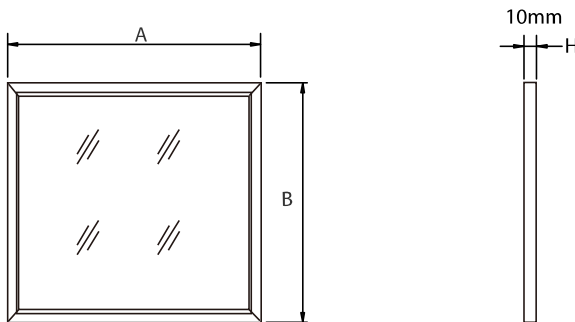
<p>sleeve anchor bolt</p>	<p>Steel wire</p>	<p>Steel wire adjustable holder</p>	<p>1. Put the ball end of the steel wire through the hole of the mount bracket of panel</p> <p>Panel</p> <p>Steel wire</p>	<p>2. Put the other end of the steel wire through the wire holder, and adjust the length of the steel wire.</p> <p>Push to adjust length of wire</p>
<p>3. mount the sleeve anchor bolt into ceiling</p>	<p>4. hang the 4 wire holders to the sleeve anchor bolt</p>			

LEI 2x2' LED Panel Light, 32 watt 4160 Lumen, UL/cUL, DLC

**Ceiling Mount**

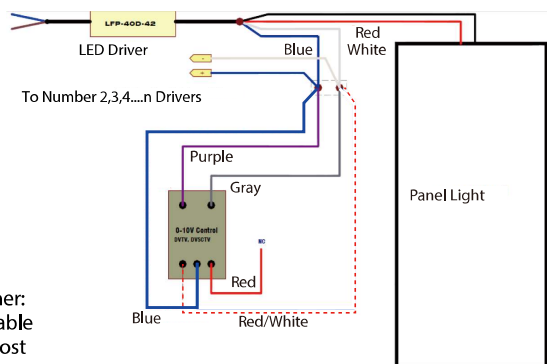


**Dimension/Weight**



Size	Dimension (A x B mm)	Weight
2X2'	603x603	5.5kg (12 lbs)

**Wiring Diagram (0-10V Dimmable Panel)**



Dimmer Recommended  
Lutron LED 0~10V dimmer: DDTV, DVSTCTV which is able to be purchased from most of electricity stores

