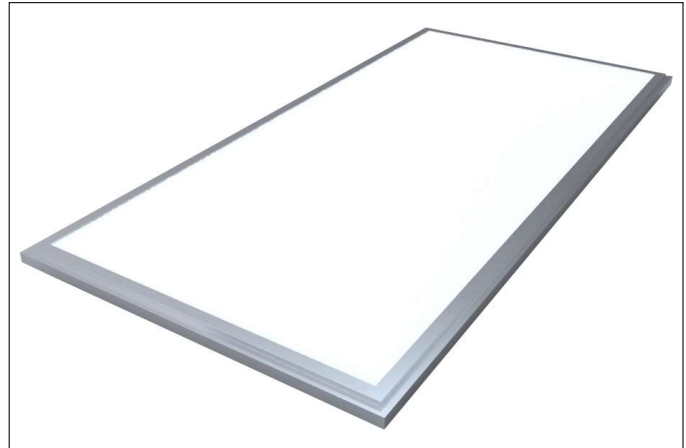


LEI 2x4' LED Panel Light, 60 watt 7800 Lumen, UL/cUL, DLC

Specifications

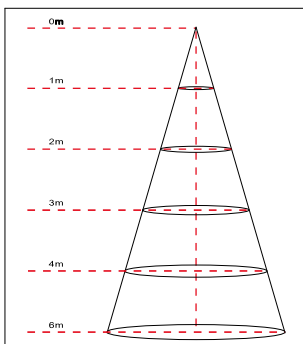
Model#	L007-60W-XXXXX
Description	2x4' LED Panel Light
Power	60W
Lumen Efficiency	1301m/w
Voltage Input	100-277Vac
Lumen output	7800lm
Color Temperature	3000K,4000K, 5000K
CRI	Ra>80
LED Chips	SMD2835
Power Factor	>0.9
Lens	Frosted
Operating Temp.	-25°<= -55°C
Certificates	UL, DLC
warranty	5 years
L70 life span	>50000Hrs
Frame	Aluminum
Max. Input current	0.5A
Dimmable	Yes(0-10V)
Weight	11 Kg (24 lbs)



Order Information

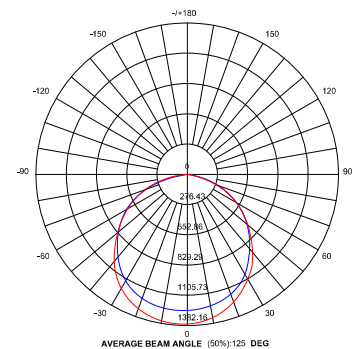
Item Number	Description	Power	Voltage Input	Dimmable	CCT	Lumen Output	Certificates
LEIP) - ("W-XXXXX	2x4' LED Panel light	("W	100-277Vac	Yes	3000k 4000K 5000k) *00lm	UL/cUL, DLC

Lux Chart



Height	Average Lux (lx)	Light range (dia.)
1M	2161.6	306.3cm
2M	540.4	612.5cm
3M	240.2	918.7cm
4M	135.1	1225.0cm
6M	60.0	1837.5cm

Photometrics



LEI 2x4' LED Panel Light, 60 watt 7800 Lumen, UL/cUL, DLC

Installation

Wall Mount

<p>1. Nailing two plastic expansion screws and other screws into the wall according to the size shown in the illustration</p>	<p>2. Hanging the panel on the finished screws</p>	<p>3. This is the combining drawing for wall and panel, please make the installation according to the installation drawing.</p>	<p>4. Installation finished</p>
-------------------------------------------------------------------------------------------------------------------------------	----------------------------------------------------	---------------------------------------------------------------------------------------------------------------------------------	---------------------------------

Recessed Mount

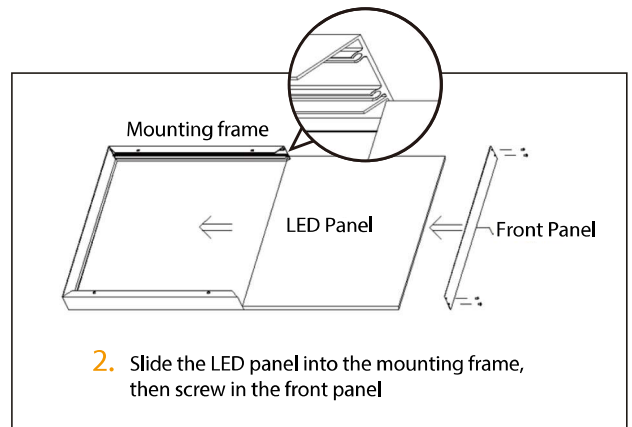
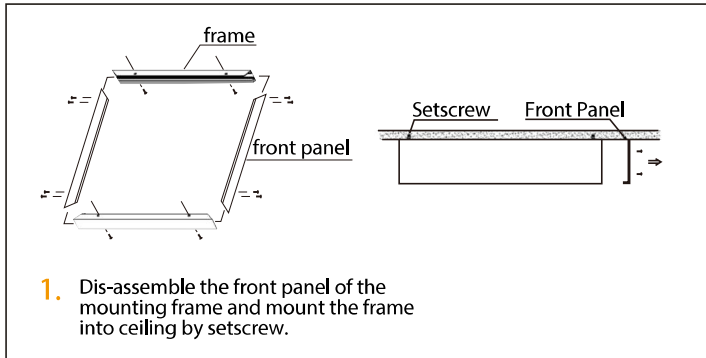
<p>1.</p>	<p>2.</p>	<p>3.</p>	<p>4.</p>
<p>5.</p>	<p>6.</p>		

Suspension

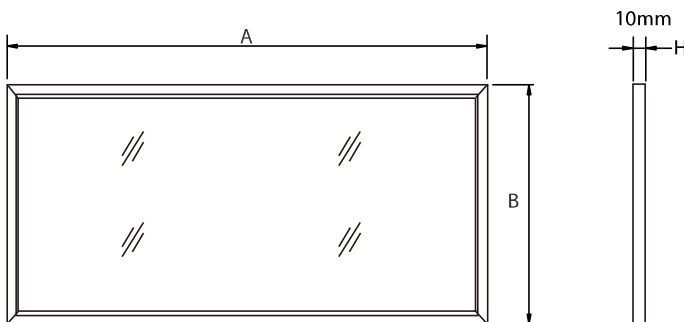
<p>sleeve anchor bolt</p>	<p>Steel wire</p>	<p>Steel wire adjustable holder</p>	<p>1. Put the ball end of the steel wire through the hole of the mount bracket of panel</p>	<p>2. Put the other end of the steel wire through the wire holder, and adjust the length of the steel wire.</p> <p>Push to adjust length of wire</p>
<p>3. mount the sleeve anchor bolt into ceiling</p>	<p>4. hang the 4 wire holders to the sleeve anchor bolt</p>			

LEI 2x4' LED Panel Light, 60 watt 7800 Lumen, UL/cUL, DLC

Ceiling Mount

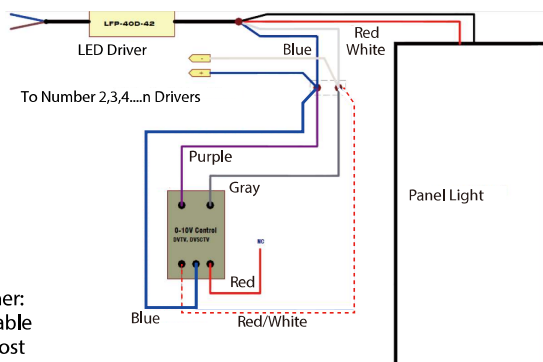


Dimension/Weight



Size	Dimension (A x B mm)	Weight
2X4'	1210x603	11kg (24 lbs)

Wiring Diagram (0-10V Dimmable Panel)



Dimmer Recommended
Lutron LED 0~10V dimmer: DDTV, DVSCTV which is able to be purchased from most of electricity stores

