

## FT WALL PACKS

### Features

- Suitable for WET location/Outdoor
- Lumen output from 5200-11700lm, to replace 100-400W MH
- Full Cutoff and compliance to Dark Sky requirement
- Type III polycarbonate optical lens with UV stabilizers
- Built-in UL class 2 driver, optional for photocell
- Available in durable polyester dark bronze or Black powder coat
- UL/cUL and DLC listed



### Applications

- Security, pathway and perimeter lighting
- Building entryways and walkways





## Specification

Specification/ Model	LEI-FTWP40-4K-U/UH	LEI-FTWP60-4K-U/UH	LEI-FTWP90-4K-U/UH
Input Power	40W	60W	90W
Lumens output	5200lm	7800lm	11700lm
Efficacy	130lm/W	130lm/W	130lm/W
CRI	82		
Color Temperature	4000K		
Input Voltage	U: 100-277VAC / UH: 347VAC		
Finish Color	Dark Bronze		
Optical Lens	Polycarbonate (UL Recognized) (f1) Suitable for outdoor use with respect to exposure to Ultraviolet Light, Water Exposure and Immersion in accordance with UL 746C		
Mounting	Wall Mounting		
Photocell	120VAC (UL and CSA listed) 3/4in long threaded nipple,30-45 second time delay, Power Consumption: less than 0.9 watts at 120 VAC		

## Ordering Guide

Fixture Type	Power Consumption	CCT	Input Voltage	Finish	Accessory (Option)	Photocell (Option)
FT-WP Wall pack	40 40Watts	4K 4000K	U 120V	Dark Bronze	VS DLC Shield	PH 120V
	60 60Watts		UH 347V			
	90 90Watts					

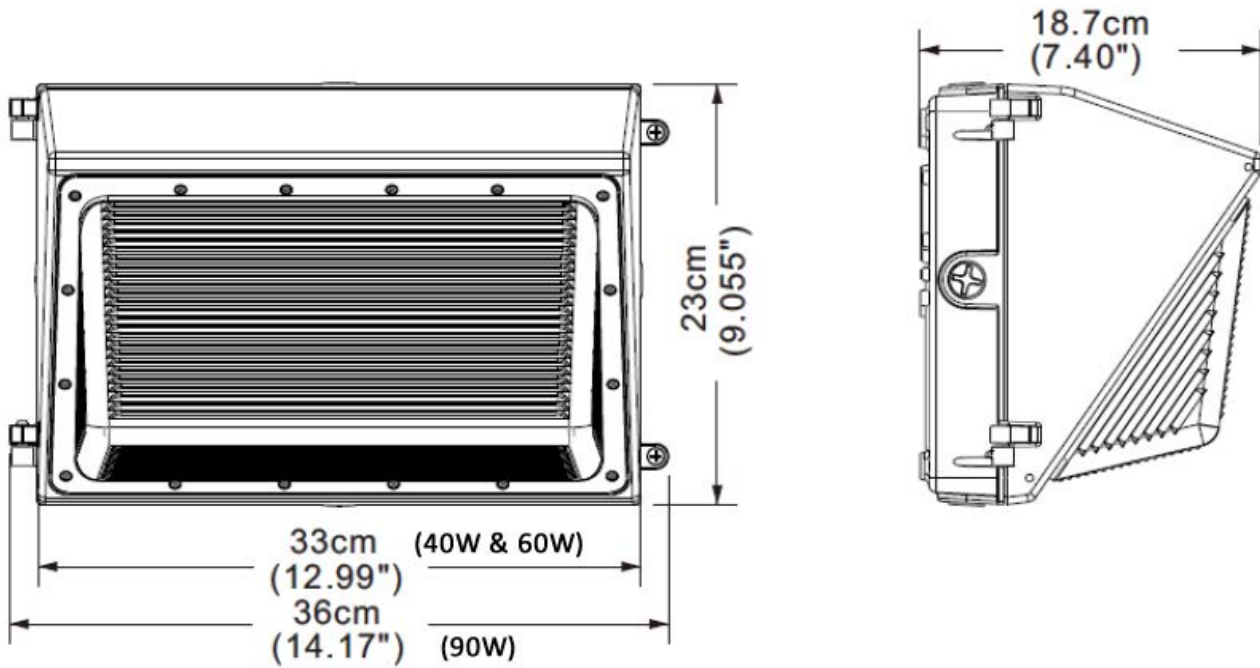
### EXAMPLES:

PART NUMBER FOR 40W 120V NO SHIELD OR PHOTOCELL IS : LEI-FTWP40-4K-U

PART NUMBER FOR 40W 120V WITH SHIELD AND PHOTOCELL IS : LEI-FTWP40-4K-U-VS-PH

## Dimension

unit: inch/mm



## Illumination Chart

