



LED Bulb Series

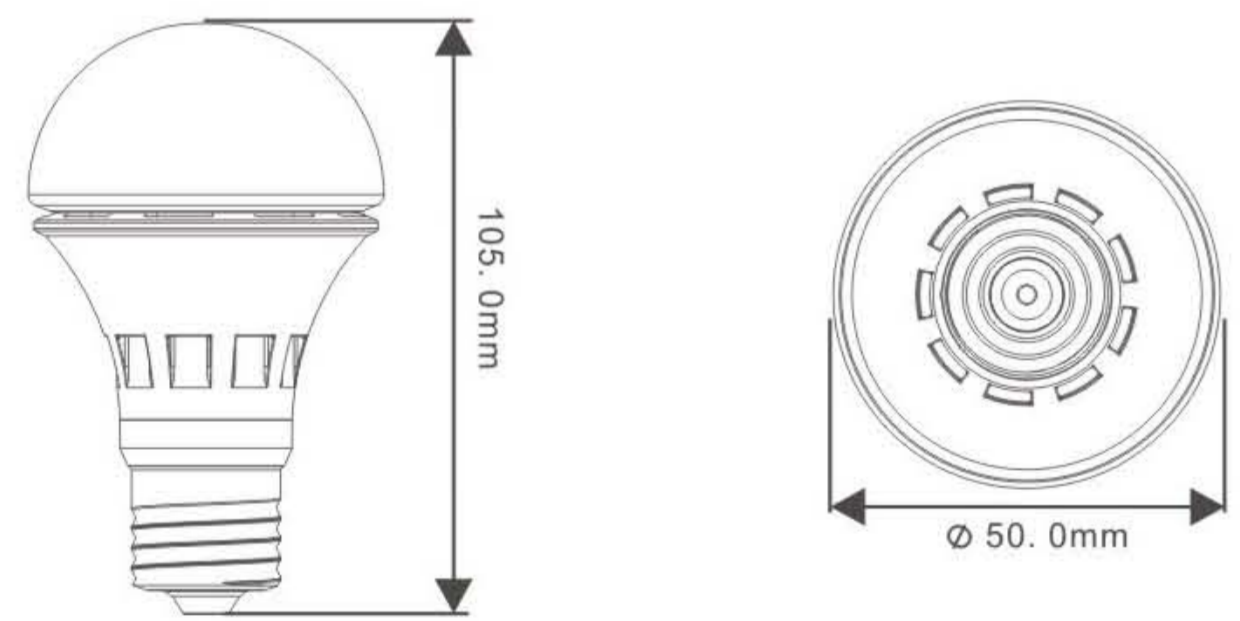
D60

Features And Application

D60 adopts a special translucent cover, which can send a very soft light and directly replace the 40w incandescent bulbs. It has excellent thermal and optical performance. It can be used for wide voltage range and is ideal for home, hotel, office, exhibition hall, shopping mall, etc.

Specifications

Beam Angle: 140°	Total Power Consumption: 7W/8W
AC Frequency: 47-63HZ	Housing&Lampshade: PBT , PC and Aluminum Base
High Efficiency: Max. 540lm	Color: Warm White/Natural White/Cool White
Operating Voltage: 85-264VAC	Lifetime: 70% Lumen Maintenance@25,000hrs



Patent:

- P. R. C. Design Patent
- EU Design Pending
- US Design Patent Pending



LED Bulb Series

D60-C2

Features And Application

D60-C2 adopts a special translucent cover , which can send a very soft light and directly replace the 75W incandescent bulbs. It has excellent thermal and optical performance. It can be used for wide voltage range and is ideal for home , hotel , office , exhibition hall , shopping mall, etc.

Specifications

AC Frequency: 47-63HZ
High Efficiency: Max. 800/1100 lm
Operating Voltage: 100-240VAC
Total Power Consumption: 10W/13W
Housing&Lampshade: PC and Aluminum
Color: Warm White/Natural White/Cool White
Lifetime: 70% Lumen Maintenance@25,000hrs

