



LED Spot Lamp Series

MR16/GU10/PAR16

B1 Series

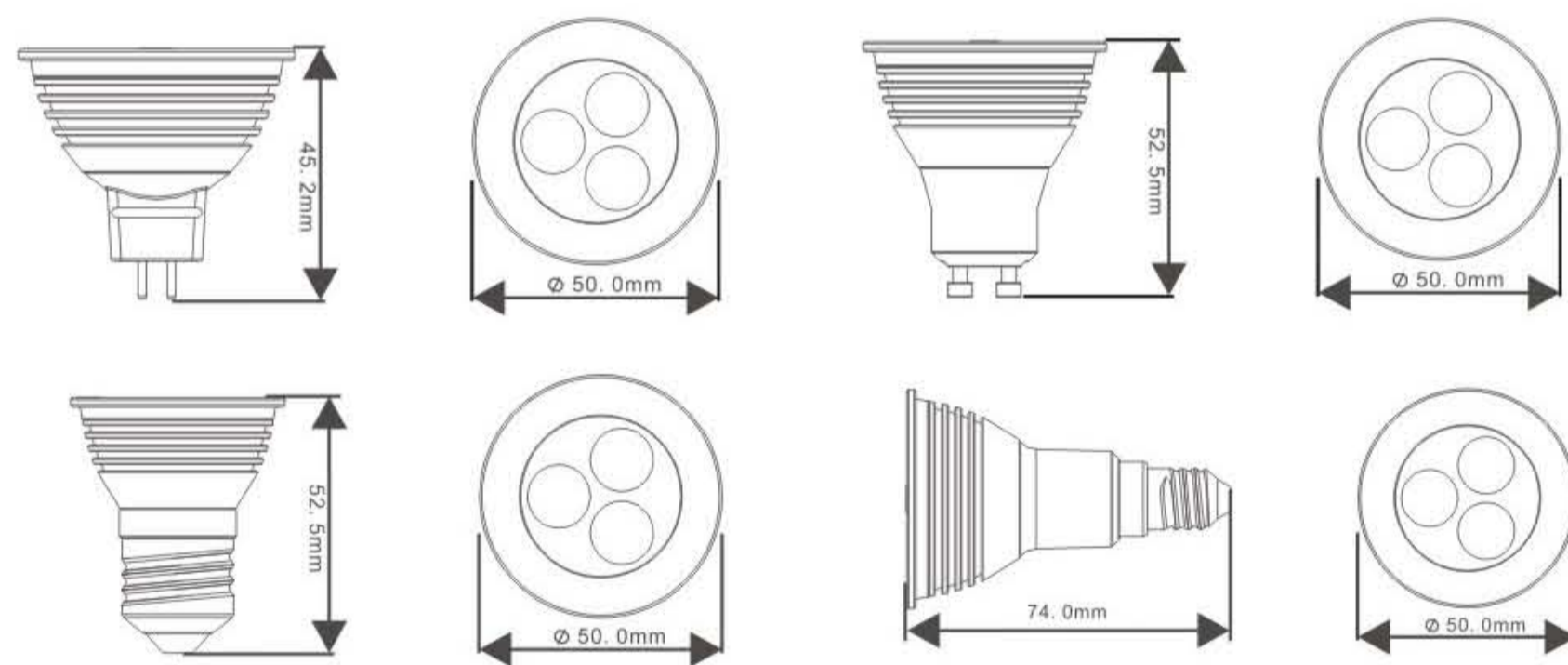
Features And Application

The spotlight adopts high power LED. It has excellent thermal and optical performance. It is ideal for home, hotel, office, exhibition hall, shopping mall, etc.

Specifications

Beam Angle: 24°/40°
AC Frequency: 47-63HZ
High Efficiency: Max. 250lm
Operating Voltage: 12V AC/DC(MR16), 100-240V(GU10,E27,PAR16)
Total Power Consumption: 3W/4W/4.5W
Housing&Lampshade: PBT , PC and Aluminum Base
Color: Warm White/Natural White/Cool White
Lifetime: 70% Lumen Maintenance@25,000hrs

Dimension



Patent:

- P. R. C. Design Patent
- EU Design Pending
- US Design Patent Pending



LED Spot Lamp Series

C1 Series

Features And Application

The spotlight adopts high power LED. It has excellent thermal and optical performance. It is ideal for home, hotel, office, exhibition hall, shopping mall, etc.

Specifications

Beam Angle: 24°/40°
AC Frequency: 47-63HZ
High Efficiency: Max. 300lm/400lm
Operating Voltage: 12V AC/DC(MR16), 100-240V(GU10,E27,PAR16)
Total Power Consumption: 4.5W/5W/6W
Housing&Lampshade: PBT , PC and Aluminum Base
Color: Warm White/Natural White/Cool White
Lifetime: 70% Lumen Maintenance@25,000hrs

Dimension

